

Features

24 VDC powered xenon flashtube visible notification appliance (strobe) for wall mounting:

- UL listed to Standard 1971
- Models are available with 15, 75, or 110 candela
- Strobe candela rating is clearly indicated on reflector
- Compatible with ADA requirements (refer to important installation information on page 2)
- Diode polarized input for connection to reverse polarity, supervised notification appliance circuit (NAC)
- In/out wiring is accessible from front of housing providing easy access for installation, inspection, and testing
- Regulated circuit design ensures consistent output
- Rugged, high impact, flame retardant thermoplastic housing available in red or white
- Covers are available separately to convert housing color

TrueAlert notification appliance design provides flexible, easy, and convenient semi-flush or surface wall mounting:

- Easily mounts to single gang, double gang, or 4-inch square outlet box
- In/out wiring terminals for 18 AWG to 12 AWG wire
- Rear of housing does not extend into box

Optional adapters and wire guard:

- Mounting adapters are available to cover surface mounted electrical boxes and to adapt to Simplex® 2975-9145 boxes
- UL listed red wire guard is available for semi-flush or surface mounting



TrueAlert Non-Addressable Strobes are Available in Red with White Lettering and White with Red Lettering

Description

TrueAlert non-addressable free-run strobes provide quick and convenient installation using a flexible mounting design. The strobe housing is a rugged, one-piece assembly (including lens) that mounts to single gang, double gang, or 4" square standard electrical box. Wiring terminals are accessible from the front of the housing, providing easy access for installation, inspection, and testing. The cover can be quickly removed (a tool is required) and when in place, the entire assembly is impact and vandal resistant. Separate covers are available for color conversion.

Strobe Selection

Proper selection of visible notification is dependent on occupancy, location, local codes, and proper applications of: the *National Fire Alarm Code* (NFPA 72), ANSI A117.1; the appropriate model building code: BOCA, ICBO, or SBCCI, and the application guidelines of the Americans with Disabilities Act (ADA).

* This product has been approved by the California State Fire Marshal (CSFM) pursuant to Section 13144.1 of the California Health and Safety Code. See CSFM Listing 7125-0026:235 for allowable values and/or conditions concerning material presented in this document. It is subject to re-examination, revision, and possible cancellation. Accepted for use – City of New York Department of Buildings – MEA35-93E. Additional listings may be applicable; contact your local Simplex product supplier for the latest status. Listings and approvals under Simplex Time Recorder Co. are the property of Tyco Safety Products Westminster.

Product Selection

Free-Run Visible Notification Appliances (Strobes)

Model Number	Strobe Output Rating			Housing Color
	15 cd	75 cd	110 cd	
4904-9168	✓			Red with white "FIRE" lettering
4904-9169		✓		
4904-9170			✓	
4904-9171	✓			White with red "FIRE" lettering
4904-9172		✓		
4904-9173			✓	

Adapters

Model	Description	Dimensions
4905-9937	Surface mount red adapter skirt	Use to cover 1-1/2" deep surface mounted boxes 5-3/8" H x 5-1/4" W x 1-5/8" D (136 mm x 133 mm x 41 mm) Total depth with strobe = 4-3/8" (111 mm)
4905-9940	Surface mount white adapter skirt	
4905-9931	Adapter plate, red, for mounting to Simplex 2975-9145 Box (typically for retrofit, may be mounted vertical or horizontal)	8-5/16" x 5-3/4" x 0.060" Thick (211 mm x 146 mm x 1.5 mm)
2975-9145	Red mounting box, requires Adapter Plate 4905-9931	7-7/8" x 5-1/8" x 2-3/4" Deep (200 mm x 130 mm x 70 mm)

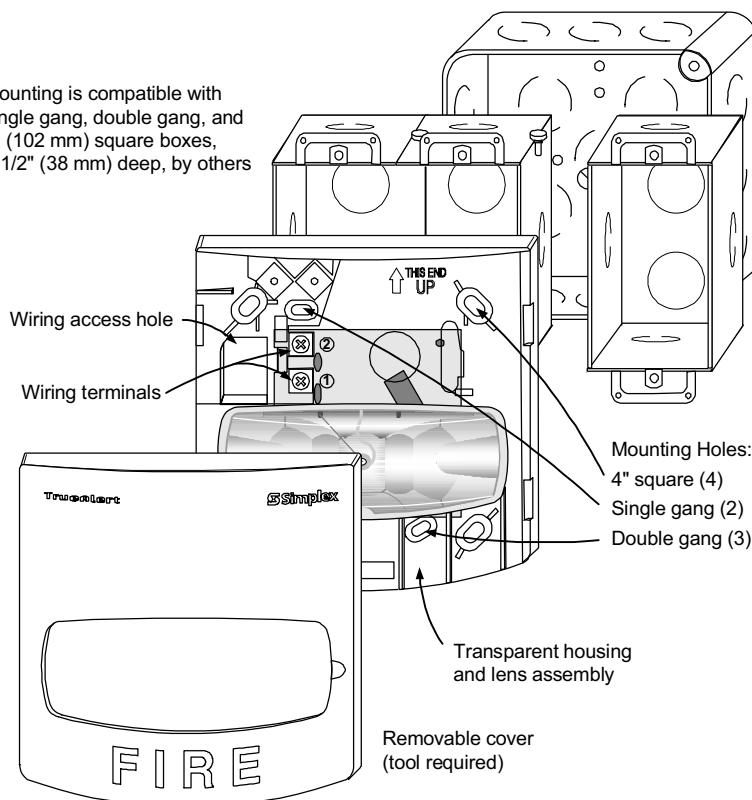
Covers and Guard

Model	Description	Dimensions
4905-9992	Red cover with white "FIRE" lettering	5-1/8" H x 5" W x 1-1/2" D (130 mm x 127 mm x 38 mm)
4905-9993	White cover with red "FIRE" lettering	
4905-9961*	Wire guard with mounting plate, red, compatible with semi-flush or surface mounted boxes	6-1/16" H x 6-1/16" W x 3-1/8" D (154 mm x 154 mm x 79 mm)

* UL listed by Space Age Electronics Inc.

Semi-Flush or Surface Strobe Mounting

Mounting is compatible with single gang, double gang, and 4" (102 mm) square boxes, 1-1/2" (38 mm) deep, by others



IMPORTANT! WALL MOUNT INSTALLATION HEIGHT REFERENCE

Bottom of lens is either even with, or slightly above bottom of compatible boxes

Electrical box outline

NFPA 72 requires that the entire lens be not less than 80" and not greater than 96" above the finished floor

80" (2.03 m) minimum

Specifications

General Specifications

Rated Voltage Range	UL Listed Range	Regulated 24 VDC; see Note 1 below
	ULC Listed Range	20 VDC to 30 VDC per ULC S526-M87
Housing Dimensions (including lens)	5-1/8" H x 5" W x 2-3/4" D (130 mm x 127 mm x 70 mm)	
Temperature Range	32° to 122° F (0° to 50° C)	
Humidity Range	10% to 93%, non-condensing at 100° F (38° C)	
Connections	Terminal blocks for 18 AWG to 12 AWG (0.82 mm ² to 3.31 mm ²); two wires per terminal for in/out wiring	

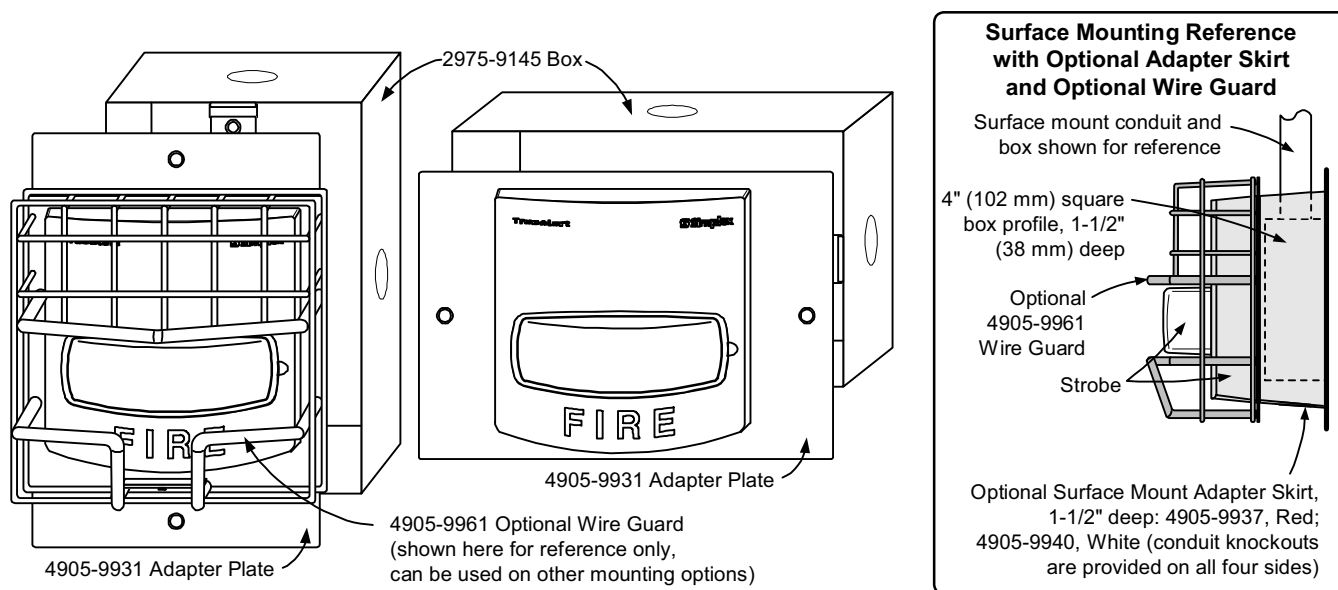
Strobe Specifications

Flash Rate	1 Hz			
Maximum RMS Current Rating per Strobe Output (see Note 2 below)		15 cd	75 cd	110 cd
		76 mA	192 mA	227 mA
Reference Currents at other voltages	18 VDC	68 mA	171 mA	202 mA
	24 VDC	51 mA	128 mA	151 mA

NOTES:

1. "Regulated 24 VDC" refers to the voltage range of 16 to 33 VDC per UL Standard 1971, Signaling Devices for the Hearing Impaired, changes effective May 1, 2004. This voltage range is the absolute operating range. Operation outside of this range may cause permanent damage to the appliance. Please note that 16 VDC is the lowest operating voltage that is allowed at the last appliance on the NAC under worst case conditions.
2. The maximum RMS current listed is the device nameplate rating. Strobe designs are constant wattage and the maximum RMS current rating occurs at the lowest allowable operating voltage. (RMS is root mean square and refers to the effective value of a varying current waveform.)

Installation Reference, Adapter Plate, Guard, and Adapter Skirt



Tyco, Simplex, the Simplex logo, and TrueAlert are trademarks of Tyco International Services AG or its affiliates in the U.S. and/or other countries. NFPA 72 and National Fire Alarm Code are registered trademarks of the National Fire Protection Association (NFPA).



Tyco Safety Products Westminster • Westminster, MA • 01441-0001 • USA
www.tycosafetyproducts-usa-wm.com

S4904-0005-5 9/2004

© 2004 Tyco Safety Products Westminster. All rights reserved. All specifications and other information shown were current as of document revision date and are subject to change without notice.